

FEATURES

- ESD Protection Over $\pm 10\text{kV}$
- Low Power: $I_{CC} = 1.8\text{mA Typ}$
- 28ns Typical Driver Propagation Delays with 4ns Skew
- Designed for RS485 or RS422 Applications
- Single 5V Supply
- -7V to 12V Bus Common-Mode Range Permits $\pm 7\text{V}$ Ground Difference Between Devices on the Bus
- Thermal Shutdown Protection
- Power-Up/Down Glitch-Free Driver Outputs
- Driver Maintains High Impedance in Three-State or with the Power Off
- Combined Impedance of a Driver Output and Receiver Allows up to 32 Transceivers on the Bus
- 60mV Typical Input Hysteresis
- Pin-Compatible with the SN75176A, DS75176A, and SN75LBC176

APPLICATIONS

- Low Power RS485/RS422 Transceiver
- Level Translator

DESCRIPTION

The **LTC[®]1485** is a low power differential bus/line transceiver designed for multipoint data transmission standard RS485 applications with extended common-mode range (12V to -7V). It also meets the requirements of RS422.

The CMOS with Schottky design offers significant power savings over its bipolar counterpart without sacrificing ruggedness against overload or ESD damage.

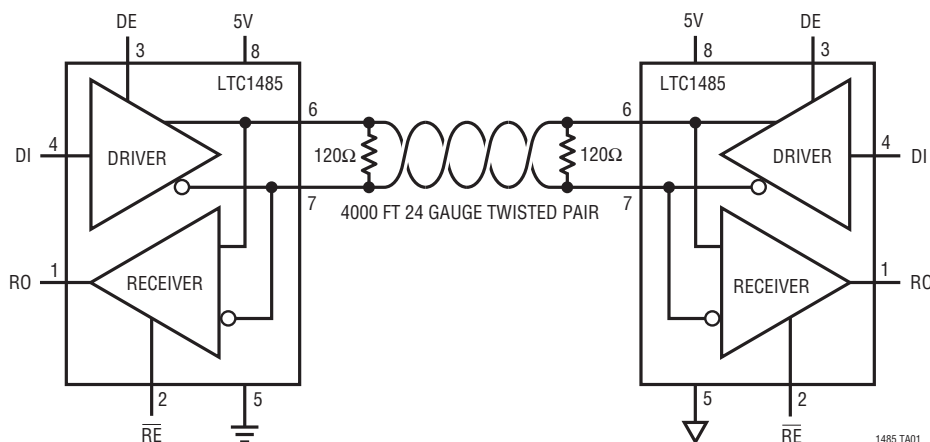
The driver and receiver feature three-state outputs, with the driver outputs maintaining high impedance over the entire common-mode range. Excessive power dissipation caused by bus contention or faults is prevented by a thermal shutdown circuit which forces the driver outputs into a high impedance state. I/O pins are protected against multiple ESD strikes of over $\pm 10\text{kV}$.

The receiver has a fail-safe feature which guarantees a high output state when the inputs are left open.

Both AC and DC specifications are guaranteed from -40°C to 85°C and 4.75V to 5.25V supply voltage range.

LT, LT, LTC, LTM, Linear Technology and the Linear logo are registered trademarks of Linear Technology Corporation. All other trademarks are the property of their respective owners.

TYPICAL APPLICATION



1485 TA01

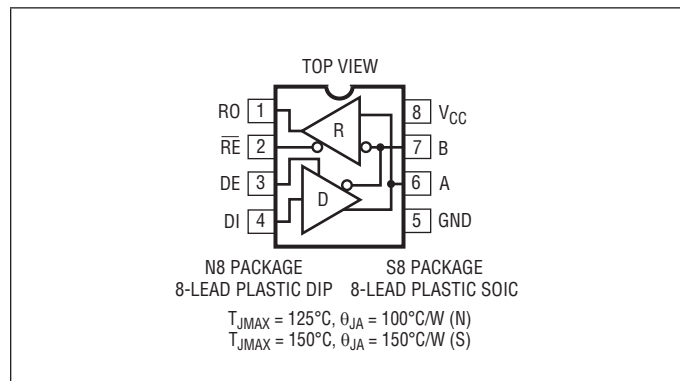
LTC1485

ABSOLUTE MAXIMUM RATINGS

(Note 1)

| | |
|---------------------------------------|--------------------------|
| Supply Voltage (V_{CC}) | 12V |
| Control Input Voltages | -0.5V to $V_{CC} + 0.5V$ |
| Control Input Currents | -50mA to 50mA |
| Driver Input Voltages | -0.5V to $V_{CC} + 0.5V$ |
| Driver Input Currents | -25mA to 25mA |
| Driver Output Voltages | $\pm 14V$ |
| Receiver Input Voltages | $\pm 14V$ |
| Receiver Output Voltages | -0.5V to $V_{CC} + 0.5V$ |
| Operating Temperature Range | |
| LTC1485C | 0°C to 70°C |
| LTC1485I | -40°C to 85°C |
| Storage Temperature Range | -65°C to 150°C |
| Lead Temperature (Soldering, 10 sec.) | 300°C |

PIN CONFIGURATION



ORDER INFORMATION

| LEAD FREE FINISH | TAPE AND REEL | PART MARKING* | PACKAGE DESCRIPTION | TEMPERATURE RANGE |
|------------------|---------------|---------------|---------------------|-------------------|
| LTC1485CN8 | LTC1485CN8 | 1485 | 8-Lead Plastic DIP | 0°C to 70°C |
| LTC1485IN8 | LTC1485IN8 | 1485I | 8-Lead Plastic DIP | -40°C to 85°C |
| LTC1485CS8 | LTC1485CS8 | 1485 | 8-Lead Plastic SOIC | 0°C to 70°C |
| LTC1485IS8 | LTC1485IS8 | 1485I | 8-Lead Plastic SOIC | -40°C to 85°C |

Consult LTC Marketing for parts specified with wider operating temperature ranges. *The temperature grade is identified by a label on the shipping container.

For more information on lead free part marking, go to: <http://www.linear.com/leadfree/>

For more information on tape and reel specifications, go to: <http://www.linear.com/tapeandreeel/>. Some packages are available in 500 unit reels through designated sales channels with #TRMPBF suffix.

DC ELECTRICAL CHARACTERISTICS

The ● denotes the specifications which apply over the full operating temperature range, otherwise specifications are at $T_A = 25^\circ\text{C}$. $V_{CC} = 5\text{V}$ (Notes 2, 3).

| SYMBOL | PARAMETER | CONDITIONS | | MIN | TYP | MAX | UNITS |
|------------------|---|--|--------|----------|------------|-------------|----------------------------|
| V_{OD1} | Differential Driver Output Voltage (Unloaded) | $I_O = 0$ | ● | | 5 | | V |
| V_{OD2} | Differential Driver Output Voltage (With Load) | $R = 50\Omega$, (RS422) $R = 27\Omega$, (RS485) (Figure 1) | ● ● | 2 1.5 | | 5 | V V |
| ΔV_{OD} | Change in Magnitude of Driver Differential Output Voltage for Complementary Output States | $R = 27\Omega$ or $R = 50\Omega$ (Figure 1) | ● | | | 0.2 | V |
| V_{OC} | Driver Common-Mode Output Voltage | $R = 27\Omega$ or $R = 50\Omega$ (Figure 1) | ● | | | 3 | V |
| $\Delta V_{OC} $ | Change in Magnitude of Driver Common-Mode Output Voltage for Complementary Output States | $R = 27\Omega$ or $R = 50\Omega$ (Figure 1) | ● | | | 0.2 | V |
| V_{INH} | Input High Voltage | DI, DE, \overline{RE} | ● | 2.0 | | | V |
| V_{INL} | Input Low Voltage | DI, DE, \overline{RE} | ● | | | 0.8 | V |
| I_{IN1} | Input Current | DI, DE, \overline{RE} | ● | | | ± 2 | μA |
| I_{IN2} | Input Current (A, B) | $V_{CC} = 0\text{V}$ or 5.25V , $V_{IN} = 12\text{V}$ $V_{CC} = 0\text{V}$ or 5.25V , $V_{IN} = -7\text{V}$ | ● ● | | | 1.0 -0.8 | mA mA |
| V_{TH} | Differential Input Threshold Voltage for Receiver | $-7\text{V} \leq V_{CM} \leq 12\text{V}$ | ● | -0.2 | | 0.2 | V |
| ΔV_{TH} | Receiver Input Hysteresis | $V_{CM} = 0\text{V}$ | ● | | 60 | | mV |
| V_{OH} | Receiver Output High Voltage | $I_O = -4\text{mA}$, $V_{ID} = 0.2\text{V}$ | ● | 3.5 | | | V |
| V_{OL} | Receiver Output Low Voltage | $I_O = 4\text{mA}$, $V_{ID} = -0.2\text{V}$ | ● | | | 0.4 | V |
| I_{OZR} | Three-State Output Current at Receiver | $V_{CC} = \text{Max } 0.4\text{V} \leq V_O \leq 2.4\text{V}$ | ● | | | ± 1 | μA |
| I_{CC} | Supply Current | No Load; DI = GND or V_{CC} Outputs Enabled Outputs Disabled | ● ● | | 1.8 1.7 | 2.3 2.3 | mA mA |
| R_{IN} | Receiver Input Resistance | $-7\text{V} \leq V_{CM} \leq 12\text{V}$ | ● | 12 | | | $\text{k}\Omega$ |
| I_{OSD1} | Driver Short-Circuit Current, $V_{OUT} = \text{High}$ | $V_O = -7\text{V}$ | ● | | | 250 | mA |
| I_{OSD2} | Driver Short-Circuit Current, $V_{OUT} = \text{Low}$ | $V_O = 10\text{V}$ | ● | | | 250 | mA |
| I_{OSR} | Receiver Short-Circuit Current | $0\text{V} \leq V_O \leq V_{CC}$ | ● | 7 | | 85 | mA |

SWITCHING CHARACTERISTICS

The ● denotes the specifications which apply over the full operating temperature range, otherwise specifications are at $T_A = 25^\circ\text{C}$. $V_{CC} = 5\text{V}$ (Notes 2, 3).

| SYMBOL | PARAMETER | CONDITIONS | | MIN | TYP | MAX | UNITS |
|------------|---|--|---|-----|-----|-----|-------|
| t_{PLH} | Driver Input to Output | $R_{DIFF} = 54\Omega$, $C_{L1} = C_{L2} = 100\text{pF}$ (Figures 2, 5) | ● | 10 | 30 | 50 | ns |
| t_{PHL} | Driver Input to Output | $R_{DIFF} = 54\Omega$, $C_{L1} = C_{L2} = 100\text{pF}$ (Figures 2, 5) | ● | 10 | 30 | 50 | ns |
| t_{SKEW} | Driver Output to Output | $R_{DIFF} = 54\Omega$, $C_{L1} = C_{L2} = 100\text{pF}$ (Figures 2, 5) | ● | | 4 | 10 | ns |
| t_r, t_f | Driver Rise or Fall Time | $R_{DIFF} = 54\Omega$, $C_{L1} = C_{L2} = 100\text{pF}$ (Figures 2, 5) | ● | 5 | 15 | 25 | ns |
| t_{ZH} | Driver Enable to Output High | $C_L = 100\text{pF}$ (Figures 4, 6) S2 Closed | ● | | 40 | 70 | ns |
| t_{ZL} | Driver Enable to Output Low | $C_L = 100\text{pF}$ (Figures 4, 6) S1 Closed | ● | | 40 | 70 | ns |
| t_{LZ} | Driver Disable Time from Low | $C_L = 15\text{pF}$ (Figures 4, 6) S1 Closed | ● | | 40 | 70 | ns |
| t_{HZ} | Driver Disable Time from High | $C_L = 15\text{pF}$ (Figures 4, 6) S2 Closed | ● | | 40 | 70 | ns |
| t_{PLH} | Receiver Input to Output | $R_{DIFF} = 54\Omega$, $C_{L1} = C_{L2} = 100\text{pF}$ (Figures 2, 7) | ● | 15 | 25 | 50 | ns |
| t_{PHL} | Receiver Input to Output | $R_{DIFF} = 54\Omega$, $C_{L1} = C_{L2} = 100\text{pF}$ (Figures 2, 7) | ● | 20 | 30 | 55 | ns |
| t_{SKEW} | $ t_{PLH} - t_{PHL} $ Differential Receiver Skew | $R_{DIFF} = 54\Omega$, $C_{L1} = C_{L2} = 100\text{pF}$ (Figures 2, 7) | ● | | 5 | 15 | ns |
| t_{ZL} | Receiver Enable to Output Low | $C_L = 15\text{pF}$ (Figures 3, 8) S1 Closed | ● | | 30 | 45 | ns |
| t_{ZH} | Receiver Enable to Output High | $C_L = 15\text{pF}$ (Figures 3, 8) S2 Closed | ● | | 30 | 45 | ns |
| t_{LZ} | Receiver Disable from Low | $C_L = 15\text{pF}$ (Figures 3, 8) S1 Closed | ● | | 30 | 45 | ns |
| t_{HZ} | Receiver Disable from High | $C_L = 15\text{pF}$ (Figures 3, 8) S2 Closed | ● | | 30 | 45 | ns |

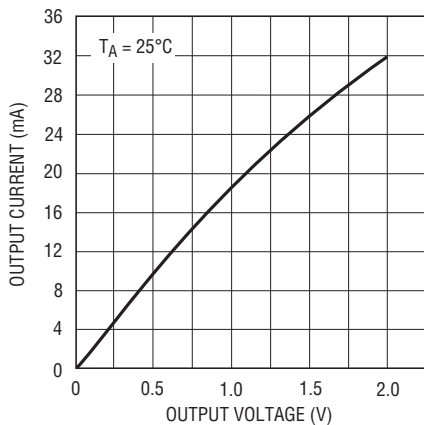
Note 1: Stresses beyond those listed under Absolute Maximum Ratings may cause permanent damage to the device. Exposure to any Absolute Maximum Rating condition for extended periods may affect device reliability and lifetime.

Note 2: All currents into device pins are positive. All currents out of device pins are negative. All voltages are referenced to device ground unless otherwise specified.

Note 3: All typicals are given for $V_{CC} = 5\text{V}$ and $T_A = 25^\circ\text{C}$.

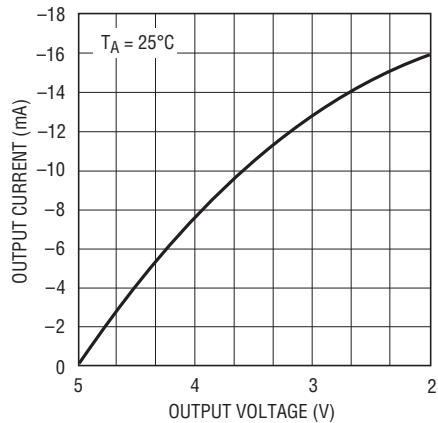
TYPICAL PERFORMANCE CHARACTERISTICS

Receiver Output Low Voltage vs Output Current



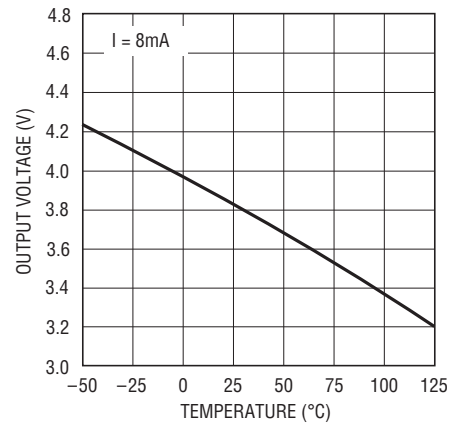
1485 G01

Receiver Output High Voltage vs Output Current



1485 G02

Receiver Output High Voltage vs Temperature

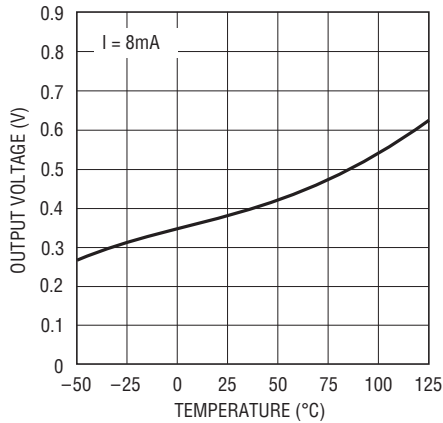


1485 G03

1485fb

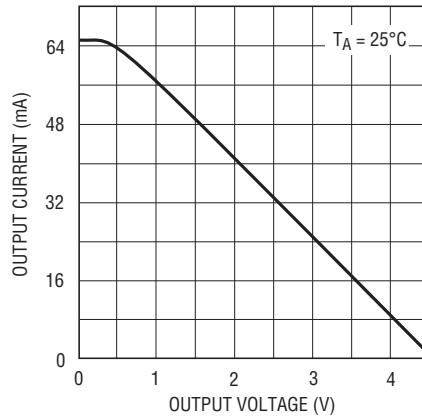
TYPICAL PERFORMANCE CHARACTERISTICS

Receiver Output Low Voltage vs Temperature



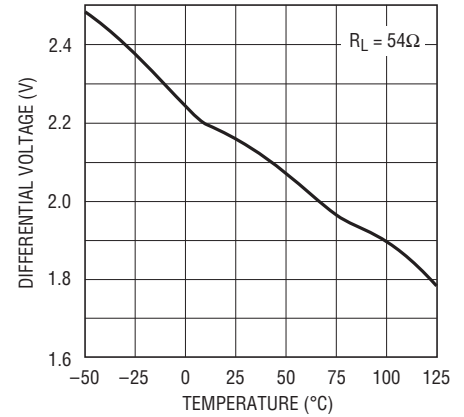
1485 G04

Driver Differential Output Voltage vs Output Current



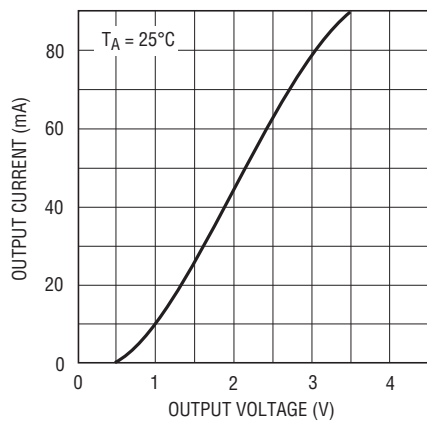
1485 G05

Driver Differential Output Voltage vs Temperature



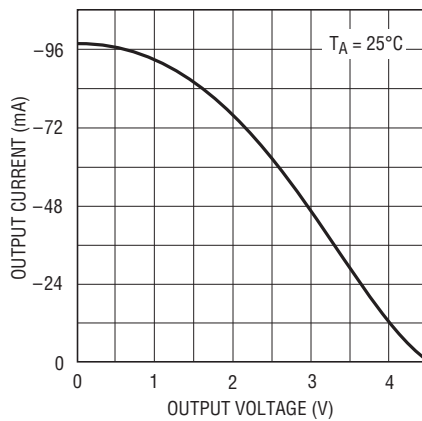
1485 G06

Driver Output Low Voltage vs Output Current



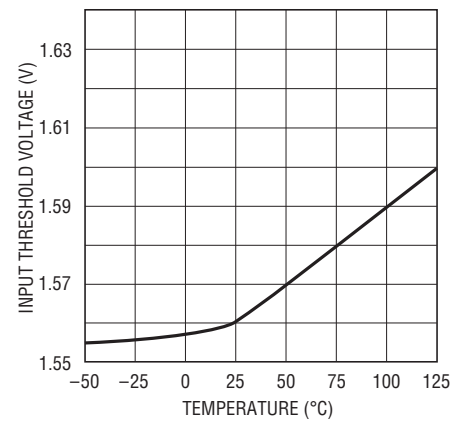
1485 G07

Driver Output High Voltage vs Output Current



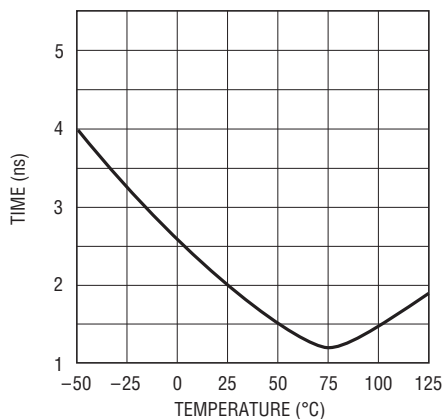
1485 G08

TTL Input Threshold vs Temperature



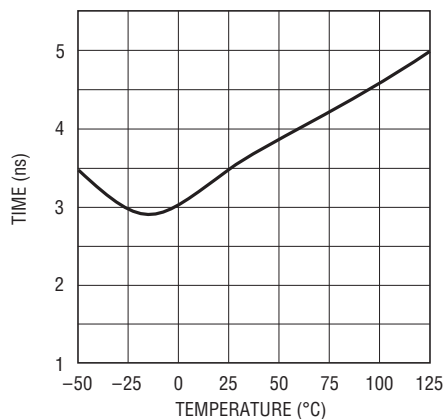
1485 G09

Receiver | t_{PLH} - t_{PHL} | vs Temperature



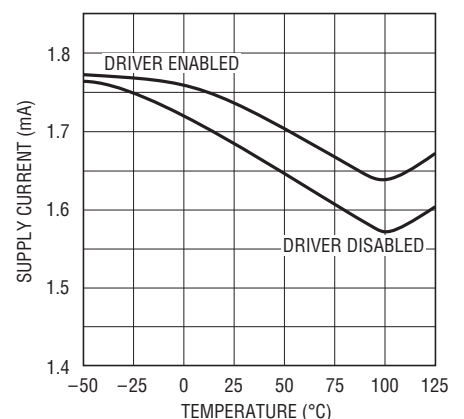
1485 G10

Driver Skew vs Temperature



1485 G11

Supply Current vs Temperature



1485 G12

PIN FUNCTIONS

RO (Pin 1): Receiver Output. If the receiver output is enabled (\overline{RE} low), then if $A > B$ by 200mV, RO will be high. If $A < B$ by 200mV, then RO will be low.

\overline{RE} (Pin 2): Receiver Output Enable. A low enables the receiver output, RO. A high input forces the receiver output into a high impedance state.

DE (Pin 3): Driver Output Enable. A high on DE enables the driver outputs, A and B. A low input will force the driver outputs into a high impedance state.

DI (Pin 4): Driver Input. If the driver outputs are enabled (DE high), then a low on DI forces the driver outputs A low and B high. A high on DI will force A high and B low.

GND (Pin 5): Ground Connection.

A (Pin 6): Driver Output/Receiver Input.

B (Pin 7): Driver Output/Receiver Input.

V_{CC} (Pin 8): Positive Supply. $4.75V \leq V_{CC} \leq 5.25V$.

TEST CIRCUIT

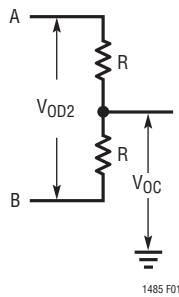


Figure 1. Driver DC Test Load

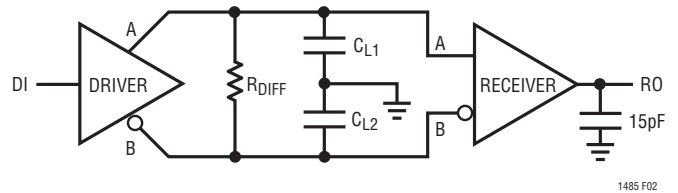


Figure 2. Driver/Receiver Timing Test Circuit

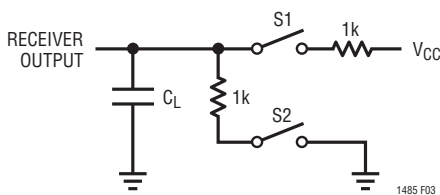


Figure 3. Receiver Timing Test Load

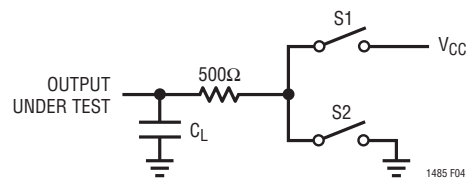


Figure 4. Driver Timing Test Load

SWITCHING TIME WAVEFORMS

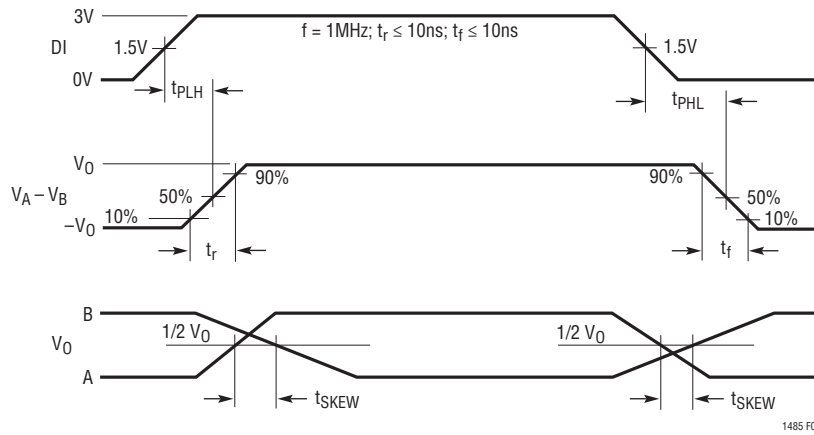


Figure 5. Driver Propagation Delays

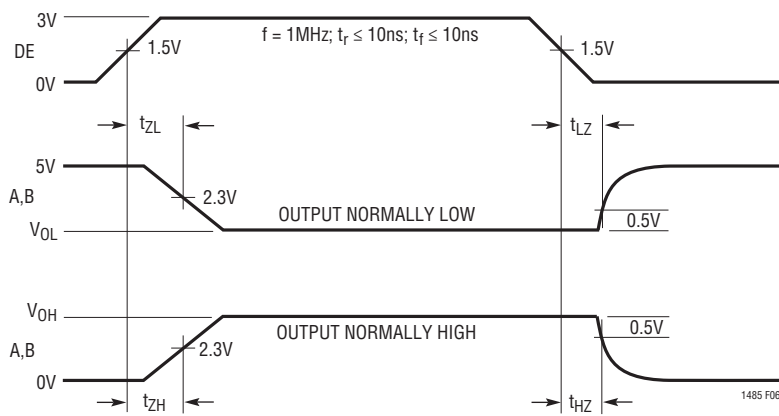


Figure 6. Driver Enable and Disable Times

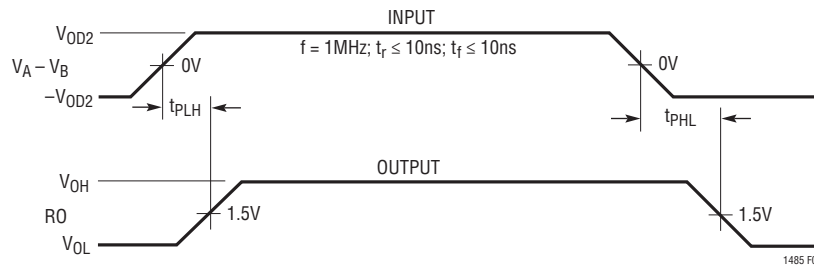


Figure 7. Receiver Propagation Delays

SWITCHING TIME WAVEFORMS

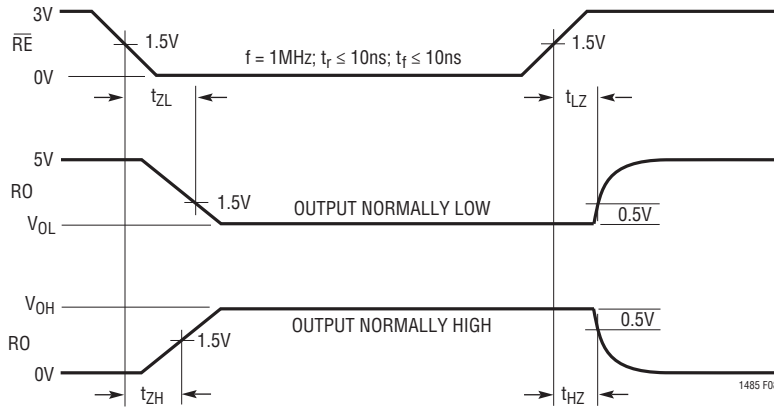


Figure 8. Receiver Enable and Disable Times

APPLICATIONS INFORMATION

Typical Application

A typical connection of the LTC1485 is shown in Figure 9. Two twisted pair wires connect up to 32 driver/receiver pairs for half duplex data transmission. There are no restrictions on where the chips are connected to the wires and it isn't necessary to have the chips connected at the ends. However, the wires must be terminated only at the

ends with a resistor equal to their characteristic impedance, typically 120Ω. The input impedance of a receiver is typically 20k to GND, or 0.6 unit RS485 load, so in practice 50 to 60 transceivers can be connected to the same wires. The optional shields around the twisted pair help reduce unwanted noise, and are connected to GND at one end.

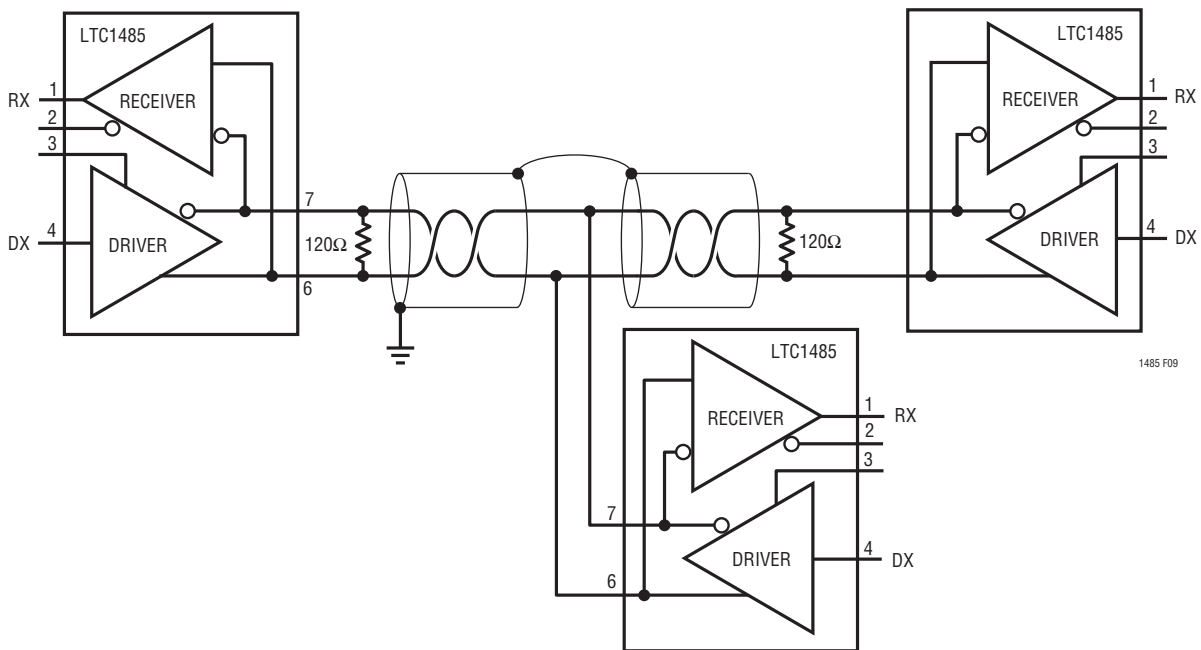


Figure 9. Typical Connection

APPLICATIONS INFORMATION

Thermal Shutdown

The LTC1485 has a thermal shutdown feature which protects the part from excessive power dissipation. If the outputs of the driver are accidentally shorted to a power supply or low impedance source, up to 250mA can flow through the part. The thermal shutdown circuit disables the driver outputs when the internal temperature reaches 150°C and turns them back on when the temperature cools to 130°C. If the outputs of two or more LTC1485 drivers are shorted directly, the driver outputs can not supply enough current to activate the thermal shutdown. Thus, the thermal shutdown circuit will not prevent contention faults when two drivers are active on the bus at the same time.

Cables and Data Rate

The transmission line of choice for RS485 applications is a twisted pair. There are coaxial cables (twinaxial) made for this purpose that contain straight pairs, but these are less flexible, more bulky, and more costly than twisted pairs. Many cable manufacturers offer a broad range of 120Ω cables designed for RS485 applications.

Losses in a transmission line are a complex combination of DC conductor loss, AC losses (skin effect), leakage, and AC losses in the dielectric. In good polyethylene cables such as the Belden 9841, the conductor losses and dielectric losses are of the same order of magnitude, leading to relatively low overall loss (Figure 10).

When using low loss cables, Figure 11 can be used as a guideline for choosing the maximum line length for a given data rate. With lower quality PVC cables the dielectric loss factor can be 1000 times worse. PVC twisted pairs have terrible losses at high data rates (>100kbs), and greatly reduce the maximum cable length. At low data rates however, they are acceptable and much more economical.

Cable Termination

The proper termination of the cable is very important. If the cable is not terminated with its characteristic impedance, distorted waveforms will result. In severe cases, distorted (false) data and nulls will occur. A quick look at the output of the driver will tell how well the cable is terminated. It is best to look at a driver connected to the end of the cable, since this eliminates the possibility of

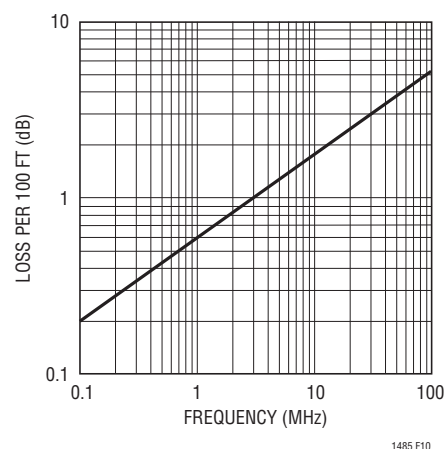


Figure 10. Attenuation vs Frequency for Belden 9481

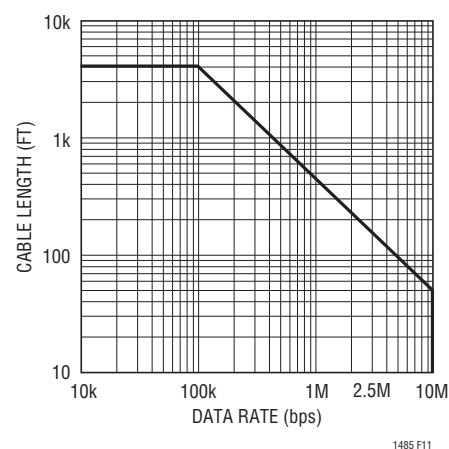


Figure 11. Cable Length vs Data Rate

getting reflections from two directions. Simply look at the driver output while transmitting square wave data. If the cable is terminated properly, the waveform will look like a square wave (Figure 12).

If the cable is loaded excessively (47Ω) the signal initially sees the surge impedance of the cable and jumps to an initial amplitude. The signal travels down the cable and is reflected back out of phase because of the mistermiation. When the reflected signal returns to the driver, the amplitude will be lowered. The width of the pedestal is equal to twice the electrical length of the cable (about 1.5ns/foot). If the cable is lightly loaded (470Ω) the signal reflects in phase and increases the amplitude at the driver output. An input frequency of 30kHz is adequate for tests out to 4000 feet of cable.

APPLICATIONS INFORMATION

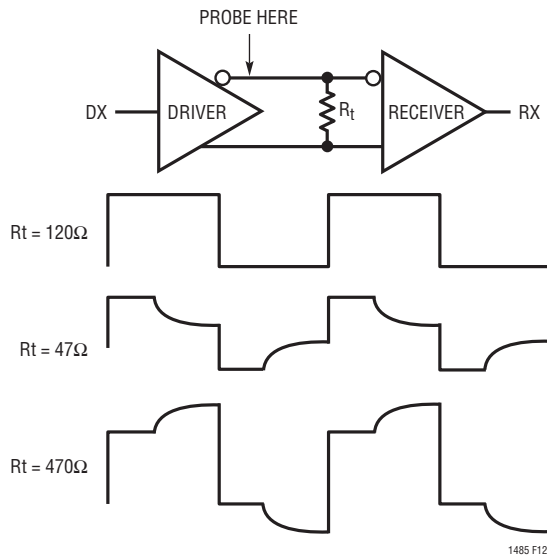


Figure 12. Termination Effects

AC Cable Termination

Cable termination resistors are necessary to prevent unwanted reflections, but they consume power. The typical differential output voltage of the driver is 2V when the cable is terminated with two 120Ω resistors, causing 33mA of DC current to flow in the cable when no data is being sent. This DC current is about 10 times greater than the supply current of the LTC1485. One way to eliminate the unwanted current is by AC-coupling the termination resistors as shown in Figure 13.

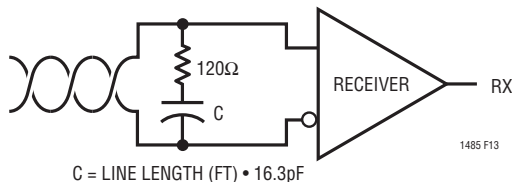


Figure 13. AC-Coupled Termination

The coupling capacitor must allow high frequency energy to flow to the termination, but block DC and low frequencies. The dividing line between high and low frequency depends on the length of the cable. The coupling capacitor must pass frequencies above the point where the line represents an electrical one-tenth wavelength. The value of the coupling capacitor should therefore be set at 16.3pF

per foot of cable length for 120Ω cables. With the coupling capacitors in place, power is consumed only on the signal edges and not when the driver output is idling at a 1 or 0 state. A 100nF capacitor is adequate for lines up to 400 feet in length. Be aware that the power savings start to decrease once the data rate surpasses $1/(120\Omega \cdot C)$.

Receiver Open-Circuit Fail-Safe

Some data encoding schemes require that the output of the receiver maintains a known state (usually a logic 1) when the data is finished transmitting and all drivers on the line are forced into three-state. The receiver of the LTC1485 has a fail-safe feature which guarantees the output to be in a logic 1 state when the receiver inputs are left floating (open-circuit).

If the receiver output must be forced to a known state, the circuits of Figure 14 can be used.

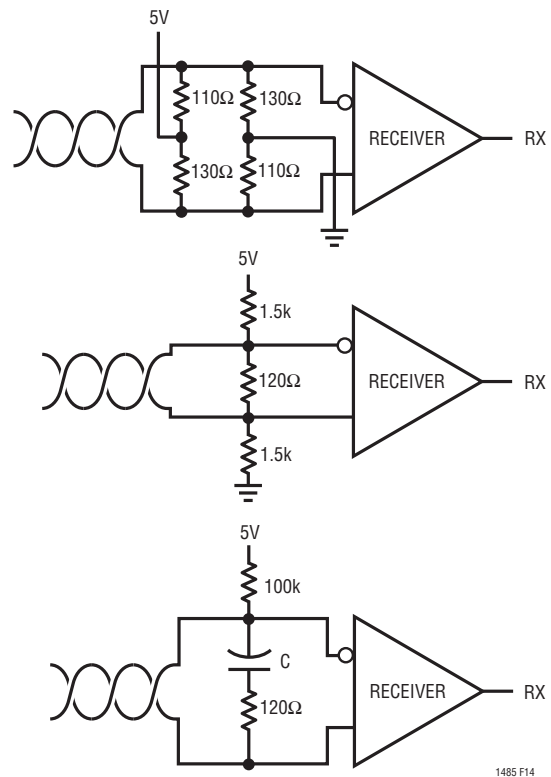


Figure 14. Forcing "0" When All Drivers Are Off

APPLICATIONS INFORMATION

The termination resistors are used to generate a DC bias which forces the receiver output to a known state, in this case a logic 0. The first method consumes about 208mW and the second about 8mW. The lowest power solution is to use an AC termination with a pull-up resistor. Simply swap the receiver inputs for data protocols ending in logic 1.

Fault Protection

All of LTC's RS485 products are protected against ESD transients up to 2kV using the human body model (100pF, 1.5kΩ). However, some applications need more protection. The best protection method is to connect a bidirectional TransZorb from each line side pin to ground (Figure 15).

A TransZorb is a silicon transient voltage suppressor that has exceptional surge handling capabilities: fast response time and low series resistance. They are available from

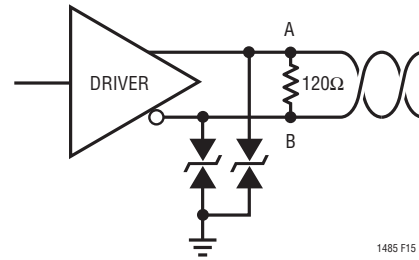
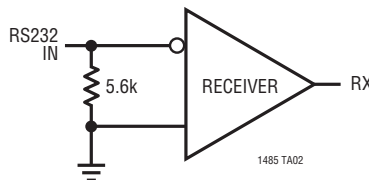


Figure 15. ESD Protection with TransZorbs

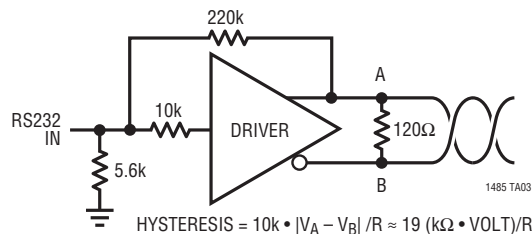
General Semiconductor Industries and come in a variety of breakdown voltages and prices. Be sure to pick a breakdown voltage higher than the common-mode voltage required for your application (typically 12V). Also, don't forget to check how much the added parasitic capacitance will load down the bus.

TYPICAL APPLICATIONS

RS232 Receiver



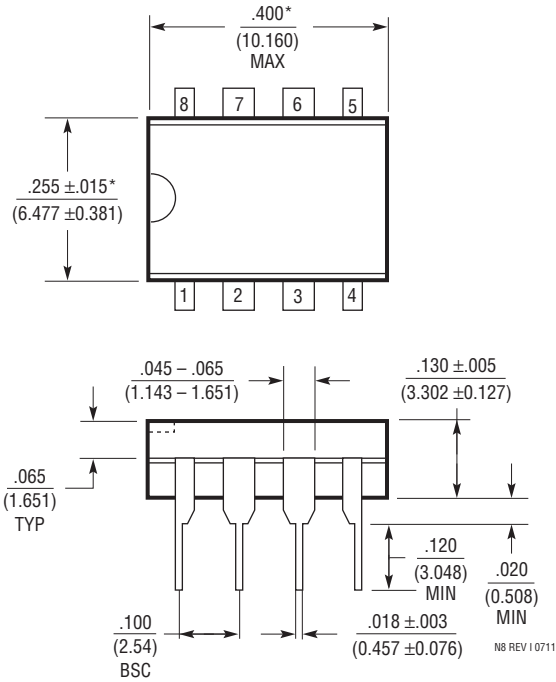
RS232 to RS485 Level Translator with Hysteresis



PACKAGE DESCRIPTION

Please refer to <http://www.linear.com/product/LTC1485#packaging> for the most recent package drawings.

N Package
8-Lead PDIP (Narrow .300 Inch)
 (Reference LTC DWG # 05-08-1510 Rev I)



NOTE:

1. DIMENSIONS ARE $\frac{\text{INCHES}}{\text{MILLIMETERS}}$

*THESE DIMENSIONS DO NOT INCLUDE MOLD FLASH OR PROTRUSIONS.
 MOLD FLASH OR PROTRUSIONS SHALL NOT EXCEED .010 INCH (0.254mm)

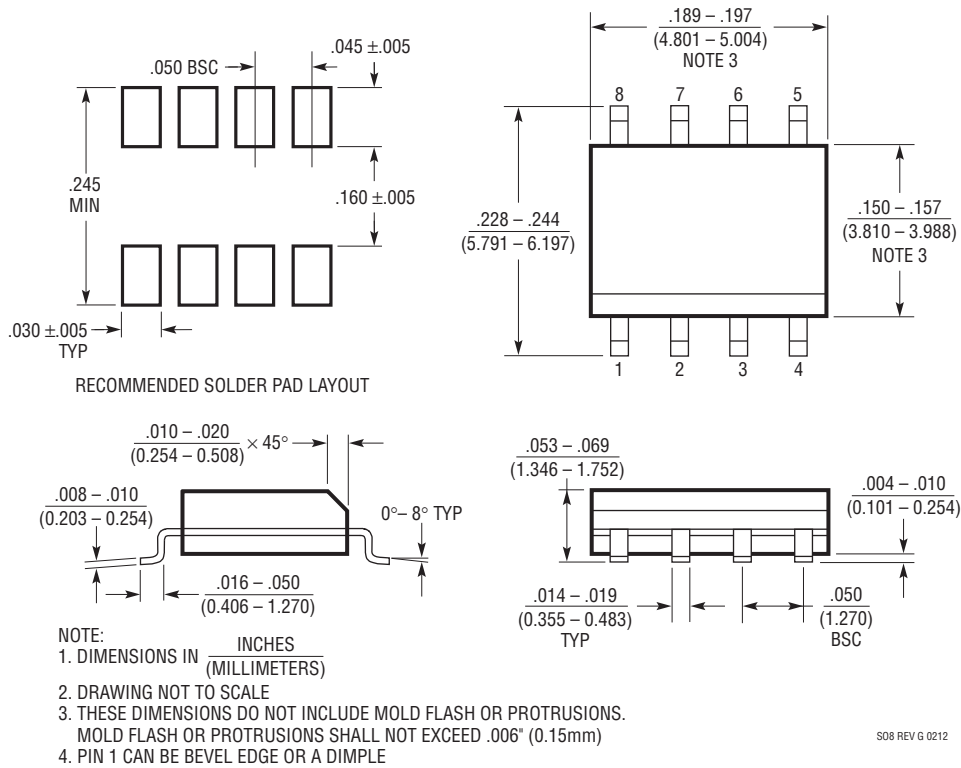
REVISION HISTORY (Revision history begins at Rev B)

| REV | DATE | DESCRIPTION | PAGE NUMBER |
|-----|-------|--|----------------|
| B | 11/15 | Updated format Updated package drawings | 1-12 11, 12 |

PACKAGE DESCRIPTION

Please refer to <http://www.linear.com/product/LTC1485#packaging> for the most recent package drawings.

S8 Package 8-Lead Plastic Small Outline (Narrow .150 Inch) (Reference LTC DWG # 05-08-1610 Rev G)



RELATED PARTS

| PART NUMBER | DESCRIPTION | COMMENTS |
|-------------------------|---|--|
| LTC486 | Quad RS485 Driver | Fits 75172 Pinout, Only 110µA I _Q |
| LTC488 | Quad RS485 Receiver | Fits 75173 Pinout, Only 7mA I _Q |
| LTC490 | Full Duplex RS485 Transceiver | Fits 75179 Pinout, Only 300µA I _Q |
| LTC1481 | Ultra-Low Power Half Duplex RS485 Transceiver | Fits 75176 Pinout, 80µA I _Q |